

AZUD LUXON

AZUD LUXON LXE

Automatic electric screen filters suitable for all applications, and available in a wide range of micron sizes, all with the same high quality guarantee of AZUD.



ADVANTAGES

- ✓ Energy Efficient: The consumption of water in the flushing cycle is minimal.
- ✓ Wide selection of screens: Screens available from 10 to 1000 micron (INOX support), 80 to 1000 micron (PVC support).
- ✓ Versatility: Inlet/Outlet from 3" to 20" // 80 to 500 mm.
- ✓ Resistance: Temperatures to 60 °C (140 °F)
- ✓ Large screen area: Up to 21300 cm² (3300 in²).
- ✓ Resistant material: The screen is manufactured in high quality stainless steel.
- ✓ Low Maintenance: The lid with hinge reduces the labours when opening the filter.
- ✓ Time saving: The filtration process and the flushing cycle occur simultaneously.
- ✓ Easy installation: The filters are delivered to be installed.

There are solutions to work with pressures higher than 10 bar / 145 psi or saline water. Control unit included.

TECHNOLOGY

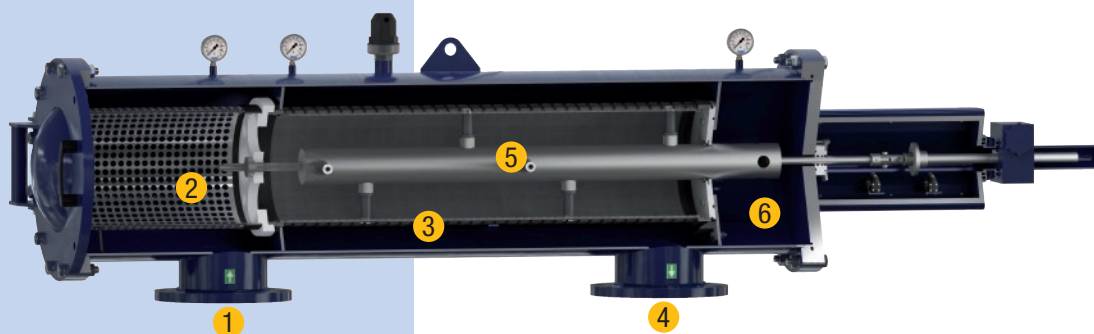
AZUD LUXON filters continue to supply filtered water without interruption during the flushing cycle.

The water flows through the inlet (1) and enters through the pre-filter (2) to the inside of the filter element.

The water then passes through the screen (3), and the particles are retained on the inside of the filter element (screen). The filtered water then flows out through the outlet (4).

When the pressure differential from inlet to outlet of the filter reaches the pre-selected level the flushing cycle starts (ΔP). A hydraulic valve opens in the drain port, which initiates suction in the inner nozzles (5). This, along with the helical movement up and down the screen sucks the captured particles into the waste flow, and this is expelled out the drain port. (6)

The length of the flush cycle is pre-determined by the control unit. When the cycle is complete the flush valve closes and the flushing ends. The flushing process uses a minimal amount of water.



AZUD LUXON

AZUD LUXON LXE

Model	Support of screen	DN CONNECTION				Filtering Surface	
		Inlet - Outlet Flange		Drainage Female - Thread		cm ²	in ²
		"	mm	"	mm		
AZUD LUXON LXE 2500/4	PVC	4"	100	2"	50	2450	380
AZUD LUXON LXE 4900/6	PVC	6"	150	2"	50	4900	760
AZUD LUXON LXE 7400/8	PVC	8"	200	2"	50	7350	1140
AZUD LUXON LXE 9800/8	PVC	8"	200	2"	50	9800	1520
AZUD LUXON LXE 12300/10	PVC	10"	250	2"	50	12250	1900
AZUD LUXON LXE 16100/10	PVC	10"	250	2"	50	16100	2495
AZUD LUXON LXE 20100/12	PVC	12"	300	2"	50	20100	3115
AZUD LUXON LXE 2700 S/4	INOX	4"	100	2"	50	2650	410
AZUD LUXON LXE 5400 S/6	INOX	6"	150	2"	50	5380	835
AZUD LUXON LXE 5400 S/8	INOX	8"	200	2"	50	5380	835
AZUD LUXON LXE 8000 S/8	INOX	8"	200	2"	50	7990	1240
AZUD LUXON LXE 10600 S/10	INOX	10"	250	2"	50	10600	1645
AZUD LUXON LXE 13200 S/10	INOX	10"	250	2"	50	13200	2045
AZUD LUXON LXE 13200 S/12	INOX	12"	300	2"	50	13200	2045
AZUD LUXON LXE 16500 S/12	INOX	12"	300	2"	50	16500	2560
AZUD LUXON LXE 16500 S/14	INOX	14"	350	2"	50	16500	2560
AZUD LUXON LXE 21300 S/14	INOX	14"	350	2"	50	21300	3300
AZUD LUXON LXE 21300 S/16	INOX	16"	400	2"	50	21300	3300

All models are with flange connections. DIN 2576 • Ask for the rest of configurations in www.azud.com

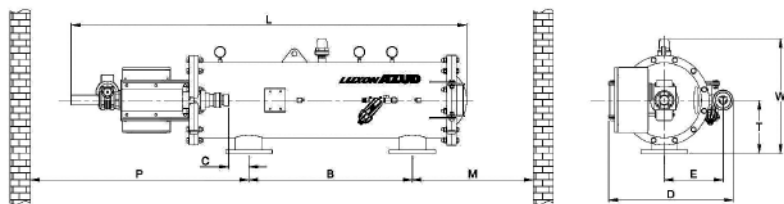
MATERIAL

Housing of the filter	Carbon steel epoxy-polyester coated (S-235-JR EPOXY- POLYESTER coated)
Filtering element	Stainless Steel AISI-316-L. INOX or PVC Structure
Scanner	Stainless Steel-304
Sealing elements	NBR
Drainage Valve	Metalic
Air release valve	1" BSP Triple effect. Manufactured in technical plastic

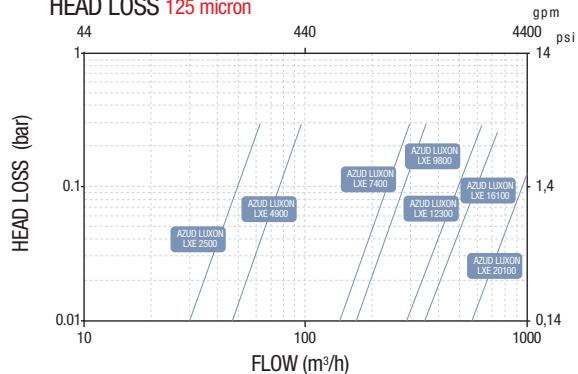
Control unit included 220V AC. 380V AC available
 Max. Pressure 10 bar / 145 psi • Min. pressure 2 bar / 29 psi
 Max. temperature 60 °C / 140 °F • Operation Voltage 220V single-phase
 1/2 CV Motor (220V). Power consumption 1.4 A

Model	Support of screen	CONNECTION		FILTRATION				FLUSHING CYCLE				
		Inlet - Outlet Flange		Filtering Surface		Max flow		Flow rate		Time	Volume	
		"	mm	cm ²	in ²	m ³ /h	gpm	l/s	gpm	s	l	g
AZUD LUXON LXE 2500/4	PVC	4"	100	2450	380	80	350	1.4	22	25	36	9.5
AZUD LUXON LXE 4900/6	PVC	6"	150	4900	760	150	660	2.8	44	25	72	19.0
AZUD LUXON LXE 7400/8	PVC	8"	200	7350	1140	240	1055	4.4	70	25	108	28.5
AZUD LUXON LXE 9800/8	PVC	8"	200	9800	1520	300	1320	5.8	92	25	144	38.0
AZUD LUXON LXE 12300/10	PVC	10"	250	12250	1900	400	1760	7.2	114	25	180	47.6
AZUD LUXON LXE 16100/10	PVC	10"	250	16100	2495	500	2200	5.8	92	25	144	38.0
AZUD LUXON LXE 20100/12	PVC	12"	300	20100	3115	600	2640	7.2	114	25	180	47.6
AZUD LUXON LXE 2700 S/4	INOX	4"	100	2650	410	80	350	1.4	22	25	36	9.5
AZUD LUXON LXE 5400 S/6	INOX	6"	150	5400	835	150	660	2.8	44	25	72	19.0
AZUD LUXON LXE 5400 S/8	INOX	8"	200	5400	835	200	880	2.8	44	25	72	19.0
AZUD LUXON LXE 8000 S/8	INOX	8"	200	8000	1240	300	1320	4.4	70	25	108	28.5
AZUD LUXON LXE 10600 S/10	INOX	8"	200	10600	1645	450	1980	5.8	92	25	144	38.0
AZUD LUXON LXE 13200 S/10	INOX	10"	250	13210	2050	500	2200	7.2	114	25	180	47.6
AZUD LUXON LXE 13200 S/12	INOX	12"	300	13210	2050	500	2200	7.2	114	25	180	47.6
AZUD LUXON LXE 16500 S/12	INOX	12"	300	16500	2560	600	2640	5.8	92	25	144	38.0
AZUD LUXON LXE 16500 S/14	INOX	14"	350	16500	2560	700	3080	5.8	92	25	144	38.0
AZUD LUXON LXE 21300 S/14	INOX	14"	350	21300	3300	800	3520	7.2	114	25	180	47.6
AZUD LUXON LXE 21300 S/16	INOX	16"	400	21300	3300	900	3960	7.2	114	25	180	47.6

The flow rate given by filter conditions the frequency of the flushing activation • Maximum recommended flow rate: 125 micron and water good quality.
 Min. flushing pressure: 2 bar / 29 psi in outlet manifold • Ask for other filtration grades.



HEAD LOSS 125 micron



Model	DIMENSIONS												WEIGHT									
	L		W		D		B		C		E		M		P		Full filter Weight		Empty filter Weight			
	mm	"	mm	"	mm	"	mm	"	mm	"	mm	"	mm	"	mm	"	kg	lb	kg	lb		
AZUD LUXON LXE 2500/4	1715	68	700	28	763	30	360	14	88	3	360	14	325	13	620	24	1305	51	395	871	247	545
AZUD LUXON LXE 4900/6	2140	84	700	28	763	30	750	30	121	5	360	14	325	13	910	36	1335	53	506	1115	288	635
AZUD LUXON LXE 7400/8	2415	95	700	28	763	30	1000	39	125	5	360	14	325	13	1210	48	1340	53	613	1351	346	763
AZUD LUXON LXE 9800/8	2690	106	700	28	763	30	1100	43	152	6	360	14	325	13	1700	67	1370	54	719	1586	390	860
AZUD LUXON LXE 12300/10	2965	117	700	28	763	30	1370	54	205	8	360	14	325	13	1865	73	1420	56	792	1747	430	948
AZUD LUXON LXE 16100/10	2710	107	927	36	976	38	1100	43	215	8	468	19	450	18	1565	62	1430	56	1239	2731	589	1299
AZUD LUXON LXE 20100/12	2985	118	927	36	976	38	1370	54	218	9	468	19	450	18	1850	73	1440	56	1415	3119	664	1464
AZUD LUXON LXE 2700 S/4	1715	68	700	28	763	30	360	14	88	3	360	14	325	13	620	24	1305	51	413	910	263	580
AZUD LUXON LXE 5400 S/6	2140	84	700	28	763	30	750	30	121	5	360	14	325	13	620	24	1335	53	523	1153	304	670
AZUD LUXON LXE 5400 S/8	2415	95	700	28	763	30	1000	39	125	5	360	14	325	13	1210	48	1340	53	659	1453	388	855
AZUD LUXON LXE 8000 S/10	2690	106	700	28	763	30	1100	43	152	6	360	14	325	13	1700	67	1370	54	782	1724	447	985
AZUD LUXON LXE 13200 S/10	2965	117	700	28	763	30	1370	54	205	8	360	14	325	13	1865	73	1420	56	853	1881	485	1069
AZUD LUXON LXE 13200 S/12	2965	117	700	28	763	30	1370	54	205	8	360	14	325	13	1865	73	1420	56	853	1881	485	1069
AZUD LUXON LXE 16500 S/12	2710	107	927	36	976	38	1100	43	215	8	468	19	450	18	1565	62	1430	56	1333	2940	675	1488
AZUD LUXON LXE 16500 S/14	2710	107	927	36	976	38	1100	43	215	8	468	19	450	18	1565	62	1430	56	1338	2949	679	1497
AZUD LUXON LXE 21300 S/14	2985	118	927	36	976	38	1370	54	218	9	468	19	450	18	1850	73	1440	57	1513	3335	753	1660
AZUD LUXON LXE 21300 S/16	2985	118	977	38	976	38	1300	51	311	12	468	19	500	20	1827	72	1533	60	1517	3344	757	1669

M-P = Minimal recommended distance for maintenance operations.